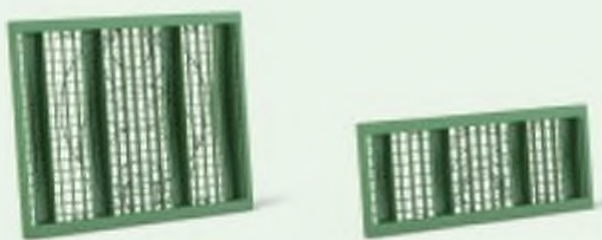
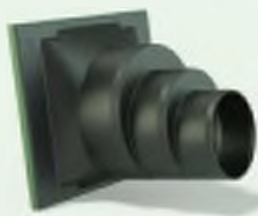


Rigofill® ST product overview



Product	Technical data	Cat. no.
Rigofill ST	L x W x H = 800 x 800 x 660 mm gross volume: 422 l storage volume: 406 l	515.94.000
Rigofill ST half block	L x W x H = 800 x 800 x 350 mm gross volume: 224 l storage volume: 212 l	515.94.001
Rigofill ST end plate	L x W x H = 800 x 30 x 660 mm connections: DN 100, 125, 150, 200, 225, 250, 315, 400, 500	519.94.000
Rigofill ST half block end plate	L x W x H = 800 x 30 x 350 mm connections: DN 100, 125, 150, 200, 225, 250	519.94.001
Rigofill ST end plate, short	W x D x H = 770 x 30 x 660 mm connections: DN 110, 125, 160, 200, 225, 250, 315, 400, 500	519.94.010
Rigofill ST half block side plate, short	W x D x H = 770 x 30 x 350 mm connections: DN 110, 125, 160, 200, 225, 250	519.94.011



Product	Technical data	Cat. no.
Adapter for Rigofill ST	L x H = 800 x 660 mm connections: DN 315, 400, 500	519.94.003



Product	Technical data		Cat. no.
Single-layer connector (suitable for 1-layer installations)	Requirement for 1-layer installations	1 pc. per block*	519.90.001
	Requirement for multi-layer installations	2 pcs. per block*	
Multi-layer connector (suitable for multiple layer installations)	Requirement for 2-layer installations	1 pc. per block*	519.90.004
	Requirement for 3-layer installations	1.3 pcs. per block*	

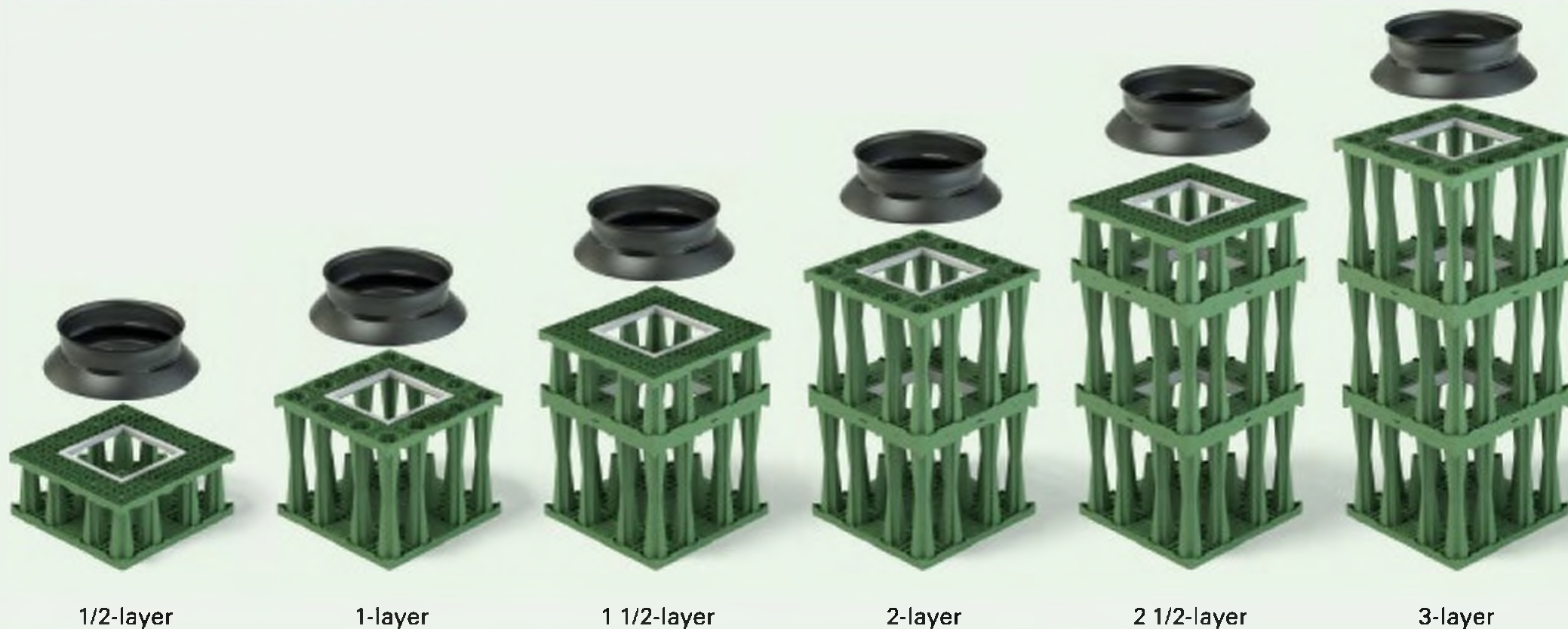
* The figures above are only approximate values.



Product	Technical data	Cat. no.
RigoFlor	W x L = 4 x 50 m = 200 m ²	516.95.000
	W x L = 4 x 25 m = 100 m ²	516.95.002
	W x L = 4 x 10 m = 40 m ²	516.95.003

Quadro® Control ST/Quadro® Control ST-B

Possible structure heights ST



Product	Technical data	Cat. no.
Quadro® Control ST 1/2*	W x D x H = 800 x 800 x 350 mm	515.04.005
Quadro® Control ST 1*	W x D x H = 800 x 800 x 660 mm	515.04.010
Quadro® Control ST 1 1/2*	W x D x H = 800 x 800 x 1,010 mm	515.04.015
Quadro® Control ST 2*	W x D x H = 800 x 800 x 1,320 mm	515.04.020
Quadro® Control ST 2 1/2*	W x D x H = 800 x 800 x 1,670 mm	515.04.025
Quadro® Control ST 3*	W x D x H = 800 x 800 x 1,980 mm	515.04.030

* incl. couple cone and one profile sealing ring

Shaft accessories D_o 600

Structure of inspection shaft



Class B or D shaft covers
acc. to DIN EN 124, CW 610

Support ring
acc. to DIN 4034,
D_i = 625 mm

Sediment trap D_o 600

DOM sealing ring

Extension pipe D_o 600

Structure of swale emergency overflow



Classes B, C or D gully gutter
acc. to DIN EN 124, LW 610

Support ring
acc. to DIN 4034,
D_i = 625 mm

Filter set D_o 600

DOM sealing ring

Extension pipe D_o 600

Temporary construction
site cover



Product	Technical data	Cat. no.
Extension pipe* without inlet	D _o = 600; 1 m length	515.50.551
	D _o = 600; 2 m length	515.50.552
	D _o = 600; 3 m length	515.50.553
Extension pipe* with inlet KG DN 315	D _o = 600; 1 m length	515.50.531
	D _o = 600; 2 m length	515.50.532
	D _o = 600; 3 m length	515.50.533
DOM sealing ring	as seal between concrete support ring and extension pipe	519.19.505
Sediment trap D _o 600	suitable for installation under CW 610 shaft covers	519.91.095
Filter set D _o 600	swale emergency overflow for shafts D _o 600 comprising of dirt trap and geotextile filter bag	519.91.002
Geotextile filter bag D _o 600	replacement filter set D _o 600	519.91.099
Shaft covers acc. to DIN EN 124	class B or D; CW 610	to be ordered/ supplied on site
Gully gutter acc. to DIN EN 124	class B, C or D; CW 610	
Support ring according to DIN 4034	100 mm thick; D _i = 625 mm	

* incl. pre-mounted temporary construction site cover