

# Rigofill® ST-B product overview



HGV 30/GVW 30t



Product	Technical data	Cat. no.
Rigofill ST-B	W x D x H = 800 x 800 x 660 mm gross volume: 422 l storage volume: 406 l	<b>515.94.200</b>
Rigofill ST-B half block	W x D x H = 800 x 800 x 350 mm gross volume: 224 l storage volume: 212 l	<b>515.94.201</b>
Rigofill ST-B end plate	W x D x H = 800 x 30 x 660 mm connections: DN 110, 125, 160, 200, 225, 250, 315, 400, 500	<b>519.94.200</b>
Rigofill ST-B half block end plate	W x D x H = 800 x 30 x 350 mm connections: DN 110, 125, 160, 200, 225, 250	<b>519.94.201</b>
Rigofill ST-B end plate, short	W x D x H = 770 x 30 x 660 mm connections: DN 110, 125, 160, 200, 225, 250, 315, 400, 500	<b>519.94.210</b>
Rigofill ST-B half block end plate, short	W x D x H = 770 x 30 x 350 mm connections: DN 110, 125, 160, 200, 225, 250	<b>519.94.211</b>



Product	Technical data	Cat. no.
Adapter for Rigofill ST-B	W x H = 800 x 660 mm connections: DN 315, 400, 500	<b>519.94.203</b>



Product	Technical data		Cat. no.
Single-layer connector (suitable for 1-layer installations)	Requirement for <b>1-layer</b> installations	1 pc. per block*	<b>519.90.001</b>
	Requirement for <b>multi-layer</b> installations	2 pcs. per block*	
Multi-layer connector (suitable for multiple layer installations)	Requirement for <b>2-layer</b> installations	1 pc. per block*	<b>519.90.004</b>
	Requirement for <b>3-layer</b> installations	1.3 pcs. per block*	

\* The figures above are only approximate values.

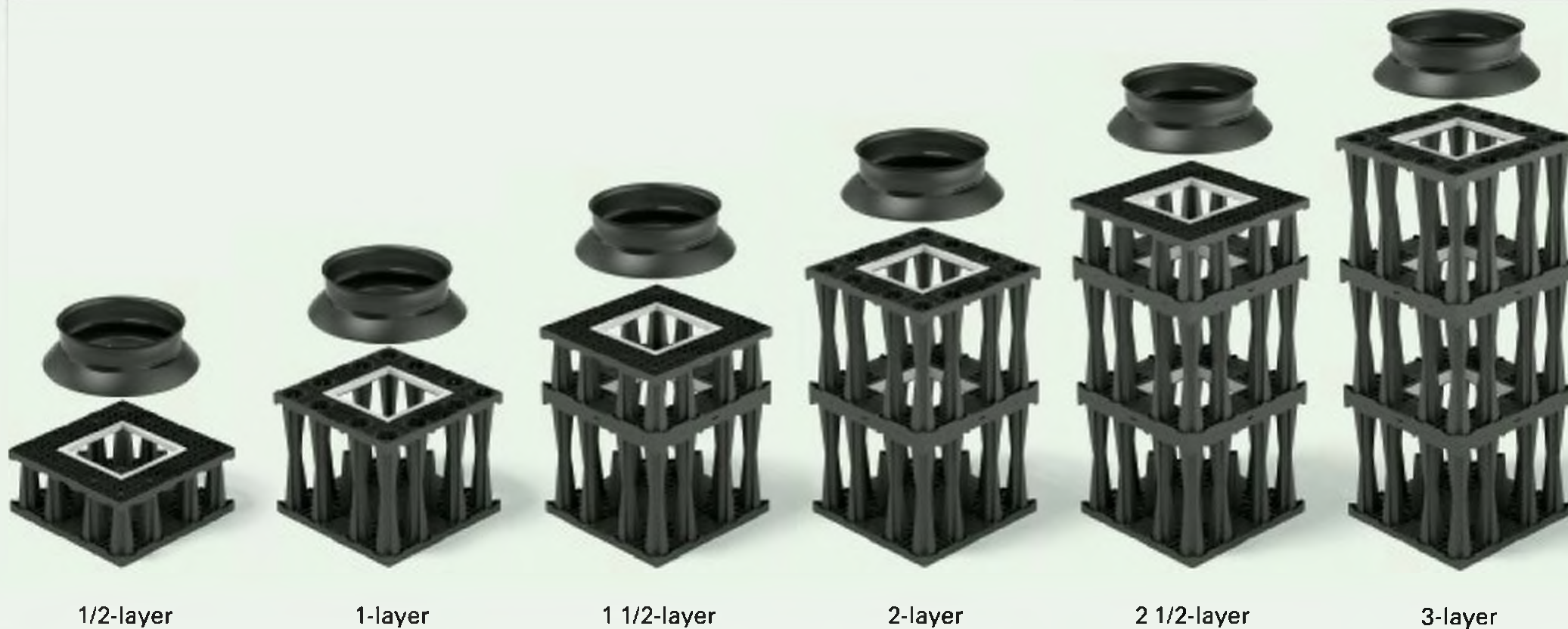


0799-CPD-55



Product	Technical data	Cat. no.
RigoFlor	W x L = 4 x 50 m = 200 m <sup>2</sup>	<b>516.95.000</b>
	W x L = 4 x 25 m = 100 m <sup>2</sup>	<b>516.95.002</b>
	W x L = 4 x 10 m = 40 m <sup>2</sup>	<b>516.95.003</b>

## Possible structure heights ST-B



Product	Technical data	Cat. no.
Quadro® Control ST-B 1/2*	W x D x H = 800 x 800 x 350 mm	515.04.205
Quadro® Control ST-B 1*	W x D x H = 800 x 800 x 660 mm	515.04.210
Quadro® Control ST-B 1 1/2*	W x D x H = 800 x 800 x 1,010 mm	515.04.215
Quadro® Control ST-B 2*	W x D x H = 800 x 800 x 1,320 mm	515.04.220
Quadro® Control ST-B 2 1/2*	W x D x H = 800 x 800 x 1,670 mm	515.04.225
Quadro® Control ST-B 3*	W x D x H = 800 x 800 x 1,980 mm	515.04.230

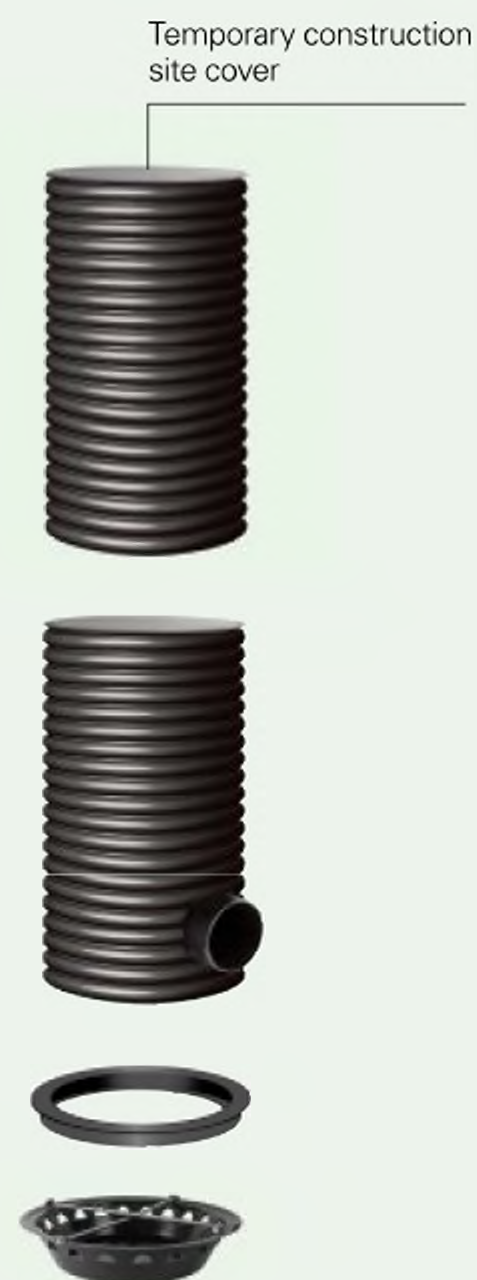
\* incl. couple cone and one profile sealing ring

# Shaft accessories D<sub>o</sub> 600

## Structure of inspection shaft



## Structure of swale emergency overflow



Product	Technical data	Cat. no.
Extension pipe* without inlet	D <sub>o</sub> = 600; 1 m length	515.50.551
	D <sub>o</sub> = 600; 2 m length	515.50.552
	D <sub>o</sub> = 600; 3 m length	515.50.553
Extension pipe* with inlet KG DN 315	D <sub>o</sub> = 600; 1 m length	515.50.531
	D <sub>o</sub> = 600; 2 m length	515.50.532
	D <sub>o</sub> = 600; 3 m length	515.50.533
DOM sealing ring	as seal between concrete support ring and extension pipe	519.19.505
Sediment trap D <sub>o</sub> 600	suitable for installation under CW 610 shaft covers	519.91.095
Filter set D <sub>o</sub> 600	swale emergency overflow for shafts D <sub>o</sub> 600 comprising of dirt trap and geotextile filter bag	519.91.002
Geotextile filter bag D <sub>o</sub> 600	replacement filter set D <sub>o</sub> 600	519.91.099
Shaft covers acc. to DIN EN 124	class B or D; CW 610	to be ordered/ supplied on site
Gully gutter acc. to DIN EN 124	class B, C or D; CW 610	
Support ring according to DIN 4034	100 mm thick; D <sub>i</sub> = 625 mm	

\* incl. pre-mounted temporary construction site cover